

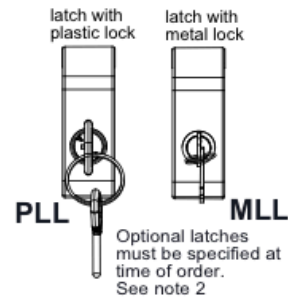
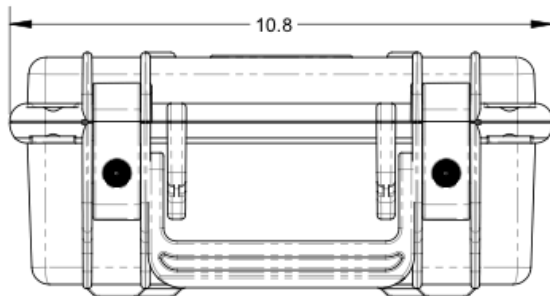
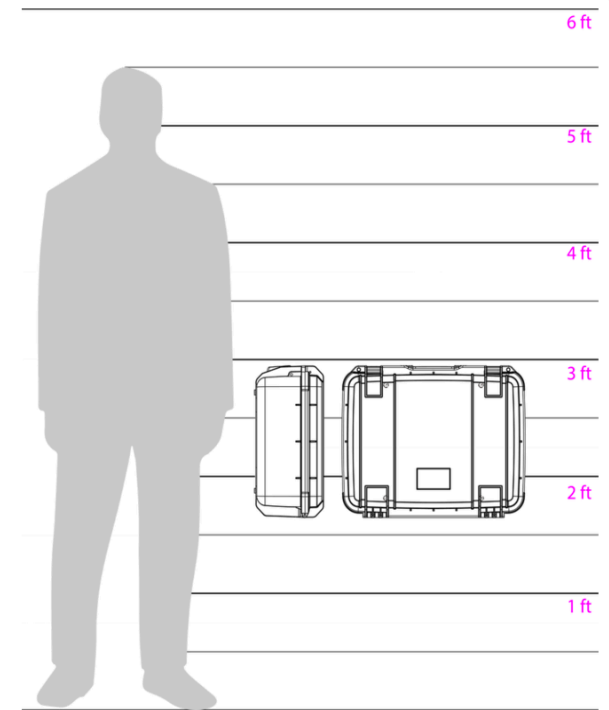
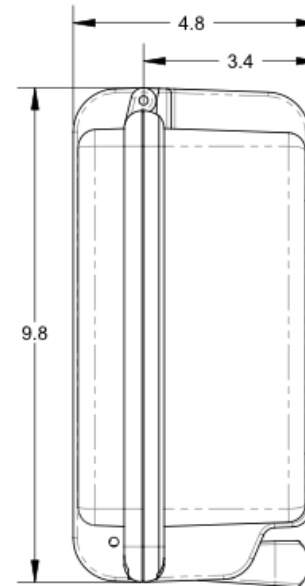
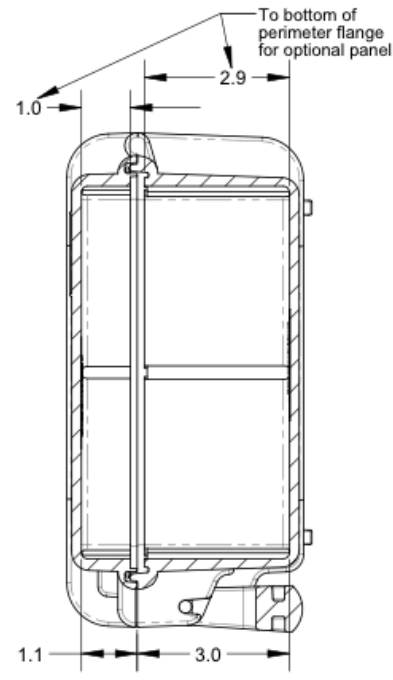
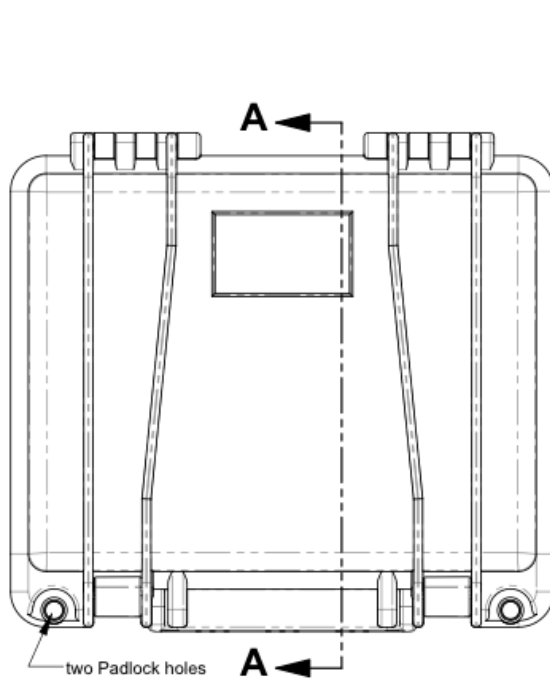
# SE300

# HARDERBACK

Maletas Industriales | Maletines Militares  
Estuches de Protección | Cajas Polipropileno  
Mochilas Resistentes | Cajas Biometricas



[ Draw ]



**NOTES:**

- 1) Max. usable inside dimensions are:  
9 1/2" X 7 3/8" X 4 1/8" (9.5" X 7.4" X 4.1")
- 2) With Metal Lock Latches p/n SE300ML  
and Plastic Lock Latches p/n SE300PL  
are optional.